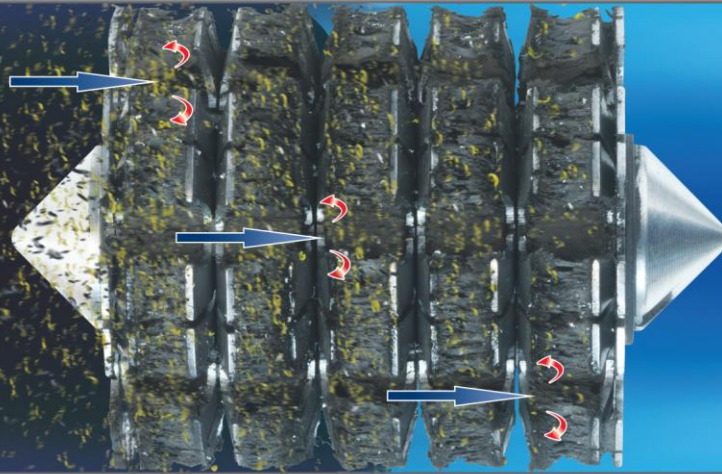


MAGNOM: Stop The Chain Reaction Of Wear

Product Data Sheet: Clear 5 & Clear 10



MOUNTING METHOD	In Line
FLOW DIRECTION	As indicated on Housing
CONSTRUCTION MATERIALS	
Head / Bowl	Brass / Nylon 12
Flux Plate (Standard)	Mild Steel
(Optional)	Stainless Steel
Magnet	Ferrite C5/C8
C-clip	Stainless steel
O-ring	Viton
HOUSING PRESSURE AND TEMPERATURE RATING	
Max. Operating Pressure	174 psig / 12 barg
Burst Pressure	725 psig / 50 barg
Max. Temperature	176 deg. F (80 deg. C)
FLUID COMPATIBILITY	Compatible with a wide range of aqueous and petroleum based fluids.

MAGNOM
Clear 10



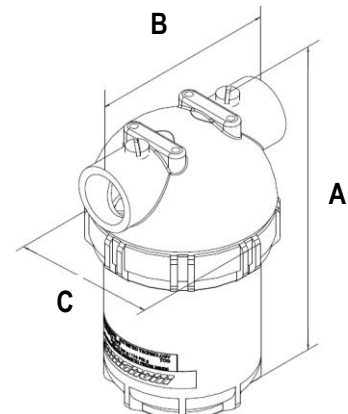
Clear 5	Dimension	Clear 10
7.35 " (187 mm)	'A'	12.1" (307mm)
5" (127mm)	'B'	5" (127mm)
4.375" (112mm)	'C'	4.375" (112mm)
5lb, 12oz. (2.6 kg)	Unit weight	9lb (4.1 kg)

Model	Part Number	Connection Size &
Clear 5 (Standard)	505102000	1" BSPP
(Stainless steel flux plates)	505302000	1" BSPP
Clear 10 (Standard)	510102000	1" BSPP
(Stainless steel flux plates)	510302000	1" BSPP

MAGNOM Clear 5 unit



These high capacity, versatile units are easy to install and the clear bowl makes it easy to monitor the condition of the MAGNOM cores.



To learn more about the Clear 5 or Clear 10 products, or to learn about the many other MAGNOM products, please visit the company website detailed below.