

Magnum™ Clear 5, Clear 10

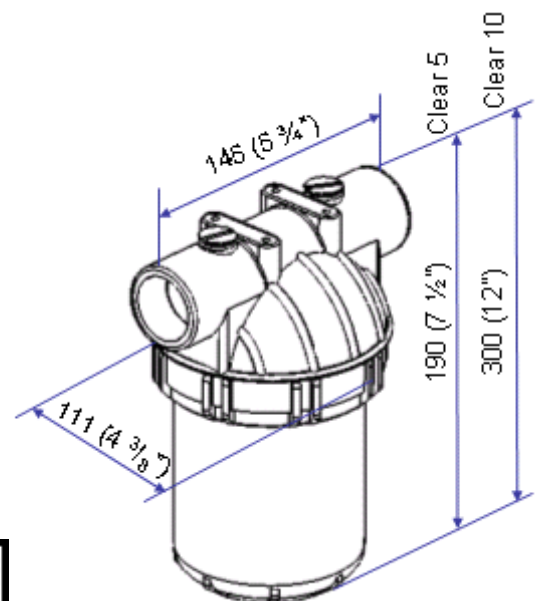
TECHNICAL SPECIFICATIONS

Part Number	
Clear 5	
Standard Flux Plates	IL 077 05 S U 1" BSPP HT
Stainless Steel Flux Plates	IL 077 05 S U 1" BSPP ST
Standard Flux Plates	IL 077 05 S U 1" NPT HT
Stainless Steel Flux Plates	IL 077 05 S U 1" NPT ST
Clear 10	
Standard Flux Plates	IL 077 12 S U 1" BSPP HT
Stainless Steel Flux Plates	IL 077 12 S U 1" BSPP ST
Standard Flux Plates	IL 077 12 S U 1" NPT HT
Stainless Steel Flux Plates	IL 077 12 S U 1" NPT ST
Mounting Method	In-line
Port Connection	1" BSPP/ 1" NPT Female (3/4" Flow through core)
Flow Direction	As indicated on housing
Construction Materials	
Head	Brass
Bowl	Nylon 12
Mandrel + Cap	Acetal (Delron)
Flux Plate (Standard)	Mild steel CR4 zinc plated & passivated
Flux Plate (Optional)	Stainless Steel 430
Magnet	Ferrite C5/C8
C-Clip	Stainless Steel
O-ring	Viton
Housing Pressure & Temperature Rating	
Max. Operating Pressure	12 barg (174 psig)
Burst Pressure	50 barg (725 psig)
Max. Temperature	80°C (176°F)
Approx. Contaminant Holding Capacity	
Clear 5	200 g (7 oz)
Clear 10	450 g (16 oz)
Fluid Compatibility	Compatible with a wide range of aqueous and petroleum based fluids.
Unit Weight	
Clear 5	2.6 kg (5 lb 12 oz)
Clear 10	4.1 kg (9 lb)
Optional Extras	C-spanner, Wall mounting bracket, Cleaning cabinet, Insulation Jacket
Available Spares	Seal kit, Bowl, Magnum™ core



FEATURES & BENEFITS

- The clear Nylon 12 bowl allows easy condition monitoring of the contaminant build up.
- The units are available with stainless steel flux plates. When combined with the brass head and nylon bowl, these units ideal for water environments.
- The temperature and pressure capability makes the Clear- 5 & 10 a versatile unit often used in the applications such as machine tool coolant and wash systems.



APPLICATIONS



Magnum™

Innovation Centre, Warwick Technology Park, Gallows Hill, Warwick CV34 6UW UK

The company reserves the right to alter specification without prior notice.

© Fluid Conditioning Systems Ltd – 2006; Issue: [EU240420062]

"Magnum", "Magnum The Ferrous Eliminator", "Magnum Clear 5/ Clear 10" are trademarks or registered trademarks of Fluid Conditioning Systems Ltd

www.magnum.com

sales@magnum.com